

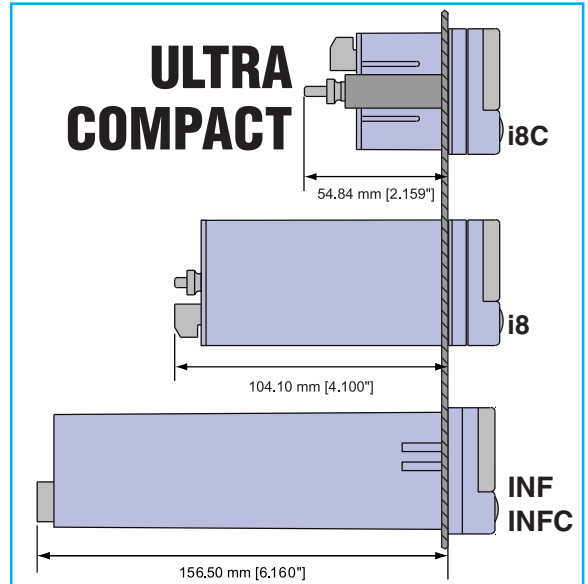
NEWPORT® iSeries

1/8 DIN Ultra Compact Case i/8C Temperature, Process & Strain Meters & PID Controllers

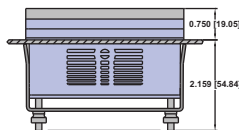
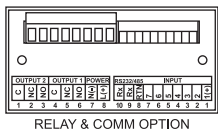
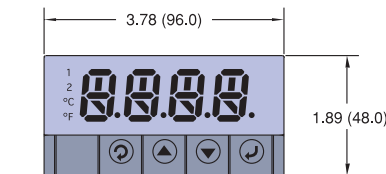
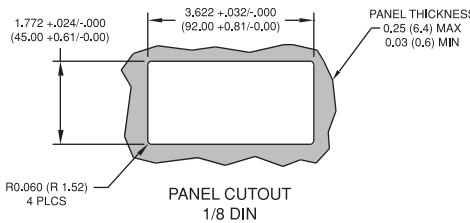
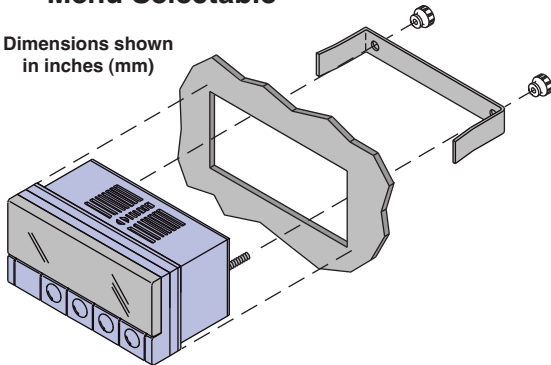


- Ultra Compact 1/8 DIN Meter and Controller
- Built-in Excitation
- NEMA 4 (IP65) Bezel
- RS-232, RS 422/485 or Modbus Communication, Menu Selectable

The Ultra Compact i8C Meters and Controllers are similar to the full size i8 in an Ultra Compact enclosure. Only 2 inches behind the panel.



Dimensions shown in inches (mm)



To Order (*Specify Model No.)

Model Number	Description	Price
i8C00	Temperature/process (monitor only) 1/8 DIN compact case	\$285
iS8C00	Strain/process (monitor only) 1/8 DIN compact case	\$345

CONTROL OUTPUTS #1 & 2 Direct (Cool) or Reverse (Heat) Acting

Model	Option 1	Option 2	Description	Price
i8C	(*)	(*)	Temperature/process with 2 control outputs compact case	\$355
iS8C	(*)	(*)	Strain/process with 2 control outputs compact case	415
2	2		Two solid state relays (SSR's): 0.5 A @ 120/240 Vac continuous	N/C
2	3		SSR and relay: Form "C" SPDT 3 A @ 120 Vac, 3 A @ 240 Vac	
2	4		SSR and pulsed 10 Vdc @ 20 mA (for use with external SSR)	
3	3		2 Relays: Form "C" SPDT 3 A @ 120 Vac, 3 A @ 240 Vac	
4	2		Pulsed 10 Vdc @ 20 mA (for use with external SSR) and SSR	
4	3		Pulsed 10 Vdc @ 20 mA (for use with external SSR) and relay: Form "C" SPDT 3 A @ 120 Vac, 3 A @ 240 Vac	
4	4		Two pulsed 10 Vdc @ 20 mA (for use with external SSR)	
5	2		Analog output selectable as either control or retransmission of process value; 0 to 10 Vdc or 0-20 mA @ 500 ohm max. and SSR	
5	3		Analog output 0 to 10 Vdc or 0-20 mA @ 500 ohm max. and Relay	
5	4		Analog output 0 to 10 Vdc or 0-20 mA @ 500 ohm max. and Pulse 10 Vdc	
			-AL Limit alarm version (alarm menu, PID control) ²	
			-SM Simplified menu version (ON/OFF control, no PID) ³	

NETWORK OPTIONS

-C24	Isolated RS-232 and R-485/422. 300 to 19.2 K baud *1	\$60
------	--	------

POWER SUPPLY

*	Standard power input: 90-240 Vac/dc, 50-400 Hz (no entry required)	N/C
-DC	12-36 Vdc, 24 Vac *1	25

FACTORY SETUP

,FS	Factory setup and configuration	50
-----	---------------------------------	----

Model Number	Description	Price
EIT-D	iServer MicroServer, serves 32 devices	\$195
EIT-W	iServer MicroServer for serial to ethernet applications See iServer MicroServer Products for Complete Details	195

*1 -DC, -C24, not available with excitation.

*2 Analog output (Option 5) is not available with -AL units.

*3 Strain iS8C is not available with -SM units.

ORDERING EXAMPLES: i8C33 is a 1/8 DIN Compact universal temperature process controller with 2 relay output \$355

i8C53,FS is a 1/8 DIN compact controllers w/ analog out and relay, factory scaled for temp. input: RTD 3 wire, 385, degree F \$355 + 50 = \$405