



- ✓ High Quality
- ✓ 5-Year Warranty
- ✓ High Accuracy $\pm 0.5^{\circ}\text{C}$ (0.9°F), 0.03% Reading
- ✓ First 1/16 DIN Controller with Totally Programmable Color Displays (Standard)
- ✓ User-friendly, Simple to Configure
- ✓ Free Software
- ✓ Full Autotune PID Control
- ✓ Universal Inputs: Thermocouple, RTD, Process Voltage/Current, Strain
- ✓ Embedded Ethernet connectivity
- ✓ First 1/16 DIN Controller Offering Both RS-232 and RS-485 Serial Communications in One Instrument (Optional)



The **NEWPORT® i16** is the popular 1/16 DIN size (48mm square) meter or controller. The meter (model "i1600") displays the process value and has no control outputs.

The controller is available with a single (model "i16") or dual display (model "i16D") that displays a set point along with the process value. The i16 display can be programmed to change color at any set point or alarm point.

The i16 is the first 1/16 DIN controller with the option of both RS-232 and RS-485 in one instrument with both MODBUS serial protocol and the straightforward **NEWPORT®** ASCII protocol. And of course the i/16 is the first 1/16 DIN Controller that can connect directly to an ethernet network and features an embedded web server. **NEWPORT®** provides free configuration and data acquisition software for the **iSeries** on CD-ROM and for download off the Web.

The i16 enclosure has a NEMA 4 (IP65) rated front bezel. The electronics are removable from the front panel.

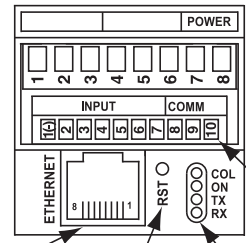
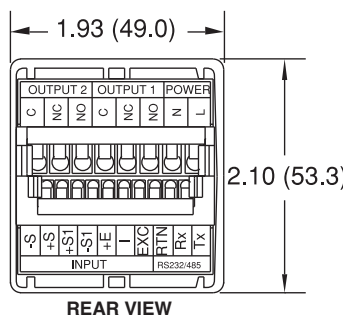
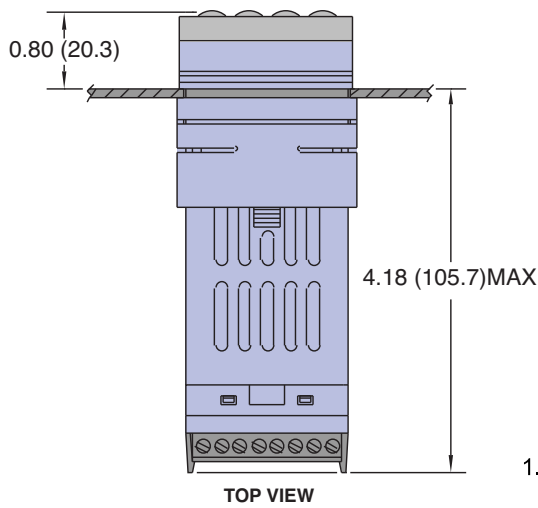
- ✓ First 1/16 DIN Controller with Built-in Excitation, 24 Vdc, Standard
- ✓ First 1/16 DIN Instrument with Analog Output Selectable as a Control Output or as a Calibrated Retransmission of Process Variable
- ✓ NEMA-4, IP65 Front Bezel

- ✓ 2 Control or Alarm Outputs (Optional) dc Pulse, Solid State Relays (SSR's), Mechanical Relays, Analog Voltage & Current
- ✓ Temperature Stability $\pm 0.04^{\circ}\text{C}/^{\circ}\text{C}$ RTD and $\pm 0.05^{\circ}\text{C}/^{\circ}\text{C}$ TC @ 25°C (77°F)
- ✓ Front Removable and Plug Connectors

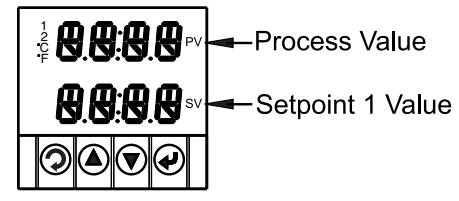
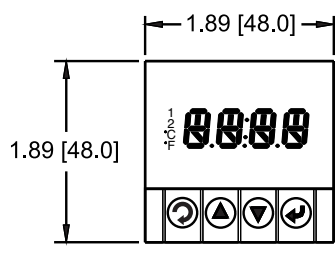
Access Vital information Anytime, Anywhere, on the World Wide Web



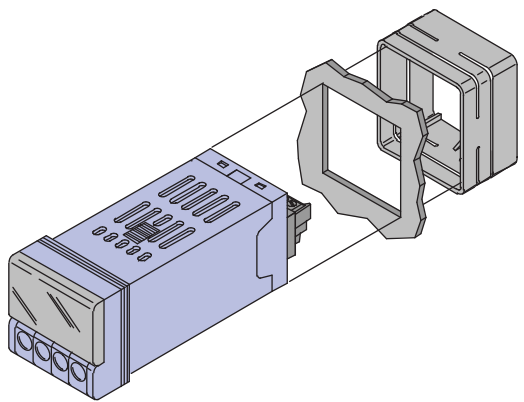
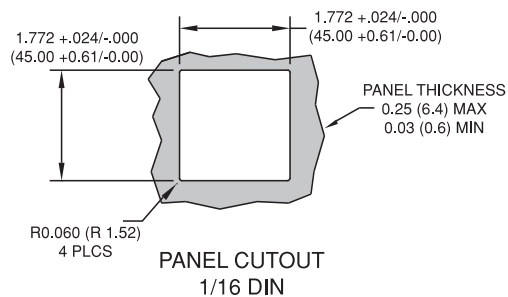
1/16 DIN Controller With Embedded Web Server, Dual Control Outputs, Dual Display



RJ45 10BASE-T Connection Reset Button LED Indicators Communication Port



SINGLE DISPLAY DUAL DISPLAY
FRONT VIEWS



To Order (*Specify Model No.)

Model Number	Description	Price
i1600	Temperature/process (monitor only) 1/16 DIN	\$190
iS1600	Strain/process (monitor only) 1/16 DIN	230
CONTROL OUTPUTS #1 & 2 Direct (Cool) or Reverse (Heat) Acting		
i16	(*) (*) Temperature/process with 2 control outputs	\$235
i16D	(*) (*) Temperature/process dual display with 2 control outputs *1	260
iS16	(*) (*) Strain/process with 2 control outputs	275
iS16D	(*) (*) Strain/process dual display with 2 control outputs *1	295
2	2 Two solid state relays (SSR's): 0.5 A @ 120/240 Vac continuous	N/C
2	3 SSR and relay: Form "C" SPDT 3 A @ 120 Vac, 3 A @ 240 Vac	
2	4 SSR and pulsed 10 Vdc @ 20 mA (for use with external SSR)	
3	3 2 Relays: Form "C" SPDT 3 A @ 120 Vac, 3 A @ 240 Vac	
4	2 Pulsed 10 Vdc @ 20 mA (for use with external SSR) and SSR	
4	3 Pulsed 10 Vdc @ 20 mA (for use with external SSR) and relay: Form "C" SPDT 3 A @ 120 Vac, 3 A @ 240 Vac	
4	4 Two pulsed 10 Vdc @ 20 mA (for use with external SSR)	
5	2 Analog Output selectable as either control or retransmission of process value; 0 to 10 Vdc or 0-20 mA @ 500 ohm max. and SSR	
5	3 Analog Output 0 to 10 Vdc or 0-20 mA @ 500 ohm max. and Relay	
5	4 Analog Output 0 to 10 Vdc or 0-20 mA @ 500 ohm max. and Pulse 10 Vdc	
	-AL Limit alarm version (alarm menu, PID control) ³	
	-SM Simplified menu version (ON/OFF control, no PID) ⁴	

NETWORK OPTIONS (One Option Max.)

-EI	Ethernet with embedded internet*1	\$50
-C24	Isolated RS-232 and RS-485 300 to 19.2 K baud *2	60
-C4EI	Ethernet with embedded Web server + isolated RS-485/422 hub for up to 31 devices *1,*2	110

POWER SUPPLY (Select One)

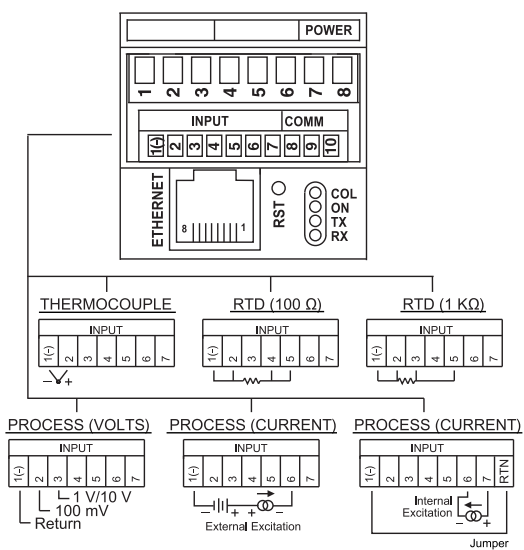
*	Standard power input: 90-240 Vac/dc, 50-400 Hz (no entry required)	N/C
-DC	12-36 Vdc (for i16), 20-36 Vdc (for i16D), 24 Vac *2	25

FACTORY SETUP OPTION

,FS	Factory setup and configuration	\$50
,FS(RTD-1N)	Customized "iS" model for MIL-T-7990B nickel RTD input (0 to 200°C)	75
,FS(RTD-2N)	Customized "iS" model for MIL-T-7990B nickel RTD input (-40 to 300°C)	75

SOFTWARE (Requires Network Option)

OPC-SERVER LICENSE	OPC server/driver software License	Price
		\$295



Dimensions shown in inches (mm)

*1 Ethernet options are available for the i16D and iS16D controller only.
 *2 -DC, -C24 or -C4EI not available with excitation.
 *3 Analog output (Option 5) is not available with -AL units.
 *4 Strain iS16 or iS16D is not available with -SM units.

ORDERING EXAMPLES: i16D44 is a 1/16 DIN dual display PID controller with two pulse control outputs **\$260**.
iS16DH44-C24,FS(RTD-1N) factory scaled for MIL standard MIL-T-7990B nickel RTD input **\$430**.