

Industrial MicroServer™

- ✓ Connects industrial serial devices with RS-232, RS-485, or RS-422 to an Ethernet network and the Internet
- ✓ Replaces dedicated wiring and PC's for serial connections
- ✓ Digital input/output lines
- ✓ Well-developed TCP/IP Stack
- ✓ Web based interface for easy configuration and access without any special software
- ✓ Configuration option via Telnet and Serial
- ✓ Supports TCP, UDP, ARP, Telnet, DHCP, DNS, HTTP, and MODBUS protocols
- ✓ Includes a Windows based COM port redirection software to redirect data destined for serial COM port to the Ethernet port on a PC
- ✓ Includes a Windows based software utility to access and configure the iServer over the Network
- ✓ Password protection for Security
- ✓ Snaps easily into DIN Rail mounting rack
- ✓ Firmware upgradeable
- ✓ Custom firmware and private labeling for OEM's
- ✓ OEM board-level iServer available



FCC-B

The award-winning **NEWPORT® iServer** is the simplest, easiest, most economical way to connect serial devices to an Ethernet network and the Internet.

When you type its name in a Web Browser, it serves Web pages that let you quickly and easily configure the device for your specific application without any special software.

Getting started with the **iServer** is very simple and easy because it can take a dynamically assigned IP address from a DHCP server on your network. This DHCP client capability is a valuable and unique feature of the **NEWPORT iServer** that makes it extremely easy and simple to start using this device on almost any Ethernet network.

You can easily assign a static IP address to the **iServer** instead of a dynamic one, if necessary. The IP address can be assigned locally through its serial connection, as well as remotely over an Ethernet network via Telnet or a web browser, using its factory default IP address.

The **NEWPORT iServer** connects to an Ethernet Network with a standard RJ45 connector. Serial devices connect to screw terminals on removable connectors. You can select RS-232, or RS-485 (and RS-422) Serial Communications from the configuration Web page.

The **iServer** can be used to make an existing Serial device a "node" on an Ethernet network with a unique IP address that's accessible from any authorized computer on the LAN, WAN, or Internet.

The **iServer** can instead be used to create a virtual tunnel on an Ethernet/Internet network simulating a local point-to-point serial connection between a serial device and a PC.

This replaces dedicated point-to-point wiring limited to 50 feet on an RS-232 connection. The **NEWPORT iServer** packages the Serial data in standard TCP/IP packets that can travel anywhere on the Ethernet LAN or over the Internet.

The **NEWPORT iServer** is compatible with almost any device with a Serial interface such as: time clocks, security alarms, card-key access controllers, telecommunications equipment, vending machines, bar code readers, electric power meters, UPS systems, test & measurement instrumentation, PLC's, serial printers, cash registers, and many more.

You do not need to rewrite the firmware for your serial devices to work with the **iServer**, and in some cases might not need to change your application software. Your serial devices will function over the Ethernet network or the Internet as if they were connected directly to a PC. The COM port on the **iServer** simulates a local COM port on the PC.

The **NEWPORT iServer** is compatible with wireless Ethernet. In settings where wires of any kind are not possible, the **EIS-2B** can be connected to a Wireless Ethernet Access Point enabling simple, economical wireless connectivity of Serial Devices.

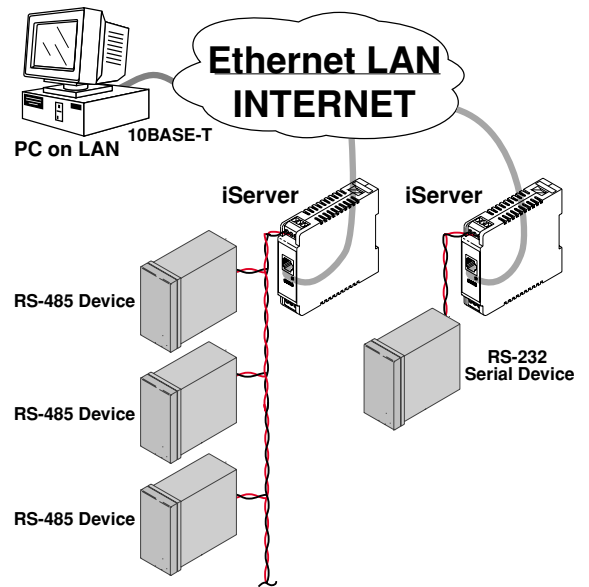
With the **NEWPORT iServer**: A manufacturing manager can monitor PLC's over the LAN from a desk anywhere in the facility, or from anywhere on the Internet with the proper passwords and authorization. A technician can use a handheld computer with Wireless Ethernet connectivity to change settings on a process controller.

The **NEWPORT iServer** model # **EIS-2B** comes complete with full documentation, and firmware.

For OEM's, **NEWPORT** offers custom labeling as well as customized application specific firmware and design engineering. **NEWPORT** also offers printed circuit board-level products (powered by 5 Vdc) that OEM's can incorporate in their product to add embedded Ethernet/Internet connectivity to products with existing serial interface. (Contact the **NEWPORT OEM Engineering Group**.)

For IT and commercial applications, **NEWPORT** offers other **iServer** Device Servers in steel enclosures for rack mounting. The **EIS-W** models feature a DB-9 connector and come complete with an ac power adapter.

Industrial MicroServers™



NEWPORT iServer products are designed and manufactured in Santa Ana, California. NEWPORT provides generous technical support.

Specifications

Serial Interface

Interface: Software Selectable RS-232, RS-422 or RS-485 (2 wire)

Connector: 8 screw terminal plugs

Data Rates: 300 to 115.2 Kbps

Characters: 7 or 8 data bits

Parity: odd, even, or none

Stop Bits: 1 or 2

Flow Control: Hardware (RTS/CTS) and Software (Xon/Xoff).

Digital I/O's: 4 digital input/output lines

Network Interface

Interface: Ethernet 10Base-T

Connector: RJ45

Protocols: TCP/IP, UDP/IP, ARP, ICMP, DHCP, DNS, HTTP, Telnet, and MODBUS/TCP

Indicators (LED's)

Network Activity, Network Link, and Serial Transmit/Receive

Processor

CPU: Enhanced 8051, 22 MHz

Memory: 512 Kbyte Flash, 16 Kbyte SRAM

Management

Embedded Web server, Telnet login, Serial login

Embedded Web Server

Serves dynamic Web pages and Java applets (256 Kbyte capacity)

Power Input - DIN Rail Enclosure

(DC Power supply sold separately)

Input: 10-32 Vdc

Consumption: 2 W max.

Environmental

Operating Temperature: 0 to 70° (32 to 158°F)

Storage Temperature: -40 to 125°C (-40 to 257°F)

Packaging

DIN Rail Enclosure

Material: Polycarbonate case with DIN Rail mount

Dimensions: 90.2H x 25.1W x 115.0D mm (3.54 x .99 x 4.53 in)

Weight: 113 g (0.25 lbs.)

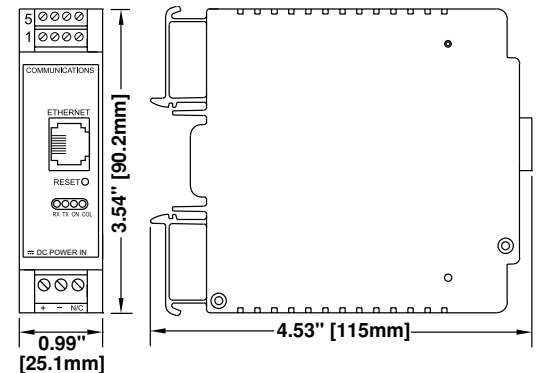
Agency Approvals

FCC-B, C/UL, CE

Software

Firmware upgradeable (for iServer firmware upgrade package **EIS-FW-CA** and **EIS-FW-CD**) contact NEWPORT oem@newportUS.com or 714-540-4914)
COM Port redirector (**iPORT**) Configuration software utility (**iCONNECT**)

Compatible with Windows 9x / ME / NT / 2000 / XP software and related utilities



Embedded Web Server Screen Shots



Ordering Information

MicroServer™: serial interface (RS-232, RS-422, RS-485), 10Base-T/Ethernet, diagnostic LEDs, DIN Rail mountable, CD-ROM with documentation, and printed Quick Start Guide

Model No.	Description	Price*
EIS-2B	iServer Industrial MicroServer™ with screw terminal serial port	195
iDRN-PS-1000	Power Supply (switching), 95 to 240 Vac input, 24 Vdc output @ 850mA (power up to 7 units)	150

* Volume discounts are available