

**Compatible with all  
iSeries Meters and  
Controllers**



- ✓ 1/8 DIN Panel Cutout or Surface Mount
- ✓ Big LED's - RD4 is 21 mm (.83") and RD6 is 17.3 mm (.68")
- ✓ Alarm Indicators, and Color change
- ✓ Serial Input ASCII RS-232, RS-485 Menu selectable
- ✓ NEMA-4 (IP65) 1/8 DIN Bezel
- ✓ 20 mm (0.80") Behind Panel and only 39 mm (1.6") overall

**REMOTE DISPLAY**

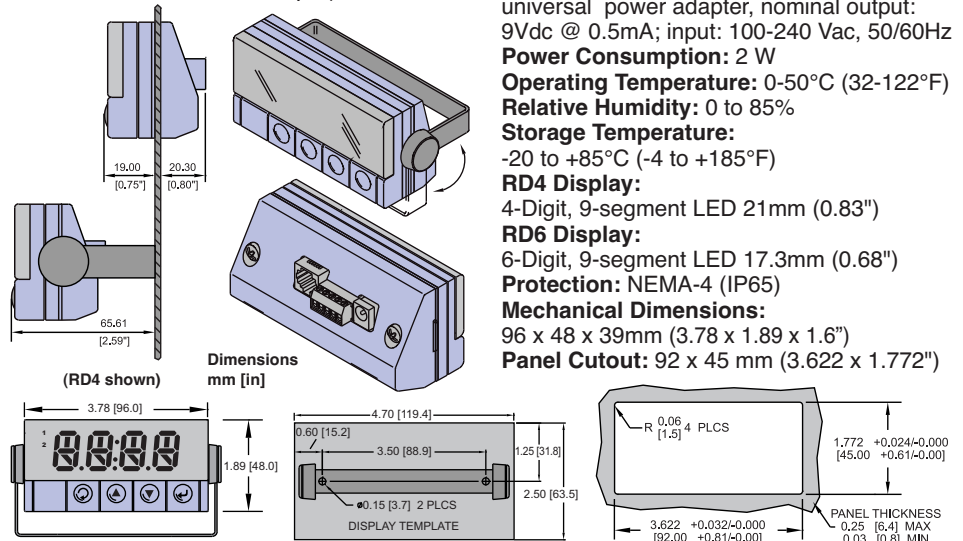
The **RD4/RD6** are 4 or 6 digit master/slave displays providing remote readout from instruments such as programmable controllers, digital panel meters and other instruments with serial output. Two communication interfaces are supported in remote Display: RS-232 and RS-485 and can be programmed through front panel buttons. The **RD4/RD6** remote display can be mounted in a 1/8 DIN panel cutout, or surface mounted with the included bale. The **RD4** and **RD6** features big bright 21mm (.83") and 17.3 mm (.68") 9-segment LED's that can be programmed to change color between Green, Amber and Red to indicate alarms. Serial Connections can be made to an RJ-11 jack or screw terminals.

In the Slave mode, the **RD4** and **RD6** can be used for displaying Alphanumerical characters from a computer. Power is supplied from 10 to 36Vdc power supply or optional universal 100 - 240 Vac power adapter.

(Compatible Host device must feature serial RS232 or RS485 output).

**SPECIFICATIONS**

- Serial:** ASCII Interface RS-232/RS-485
- Baud rate:** 300, 600, 1200, 2400, 4800, 9600, 19200.
- Data Formats:** 7 data/odd parity/ 1 stop, 7 data/even parity/1 stop, 8 data/no parity/1 stop.
- Power Requirements:** 10 to 36 Vdc, or universal power adapter, nominal output: 9Vdc @ 0.5mA; input: 100-240 Vac, 50/60Hz
- Power Consumption:** 2 W
- Operating Temperature:** 0-50°C (32-122°F)
- Relative Humidity:** 0 to 85%
- Storage Temperature:** -20 to +85°C (-4 to +185°F)
- RD4 Display:** 4-Digit, 9-segment LED 21mm (0.83")
- RD6 Display:** 6-Digit, 9-segment LED 17.3mm (0.68")
- Protection:** NEMA-4 (IP65)
- Mechanical Dimensions:** 96 x 48 x 39mm (3.78 x 1.89 x 1.6")
- Panel Cutout:** 92 x 45 mm (3.622 x 1.772")



**Remote Displays  
change color  
at any set point\***

**Totally Programmable Color Displays**

RED  
AMBER  
GREEN

<b>To Order (*Specify Model No.)</b>		
Model Number	Description	Price
RD4	4-Digit Remote display for iSeries monitors and controllers	\$155
RD6	6-Digit Remote display for iSeries monitors and controllers	210
OPTIONS		
UNIV-AC-100/240	Universal ac power adapter. Nominal output: 9 Vdc @ 0.5 mA, Input: 100-240 Vac, 50/60 Hz	\$25

Model Number	Description	*Insert 2 or 4 in (*) for LED height	Price (2")	Price (4")
iLD(*)4-C2	4 Digit Remote display with ethernet, RS-232, RS-485/422 input**		\$795	\$995
iLD(*)6-C2	6 Digit Remote display with ethernet, RS-232, RS-485/422 input**		995	1195
iLD(*)4-EI	4 Digit Remote display with ethernet input**		795	995
iLD(*)6-EI	6 Digit Remote display with ethernet input**		995	1195

\*\*See Big Displays Section for complete details on these products.